

LUBRICANT

ZOOM SPOUT

P/N	ITEM DESC
86-1000	4 oz



RUST BUSTER

P/N	ITEM DESC
86-2000	4 oz



WD-40

P/N	ITEM DESC
86-3002	2 oz
86-3009	8 oz
86-3012	12 oz
86-3016	16 oz



DOW CORNING SILICONE

P/N	ITEM DESC
86-1111	5.3 oz



TAPE

MASKING TAPE

P/N	ITEM DESC
92-0012	3/4" x 60yds
92-0016	1" x 60yds
92-0024	1 1/2" x 60yds
92-0032	2" x 60yds



TAPE DISPENSER

P/N	ITEM DESC
92-0500	???



CARTON SEALING - CLEAR

P/N	ITEM DESC
92-0600	2" x 55yds



FILAMENT TAPE

P/N	ITEM DESC
92-0812	3/4" x 60yds
92-0816	1" x 60yds
92-0824	1 1/2" x 60yds
92-0832	2" x 60yds



DUCT TAPE

P/N	ITEM DESC
92-1032	2" x 60yds - Medium Grade
92-2032	2" x 60yds - Premium Grade



ELECTRICAL TAPE

P/N	ITEM DESC
92-3000	3/4" x 60'



METALIZED TAPE

P/N	ITEM DESC
92-AF973	2" x 50yds - Aluminum Foil
92-SF683	2" x 60yds - Hvy Duty Metalized



PIPE WRAPPING

P/N	ITEM DESC
49-5251	1" x 100' x 10mil
49-5252	2" x 100' x 10mil
49-5254	4" x 100' x 10mil
49-5362	2" x 100' x 20mil



EASY SLIDER



P/N	ITEM DESC
99-EASY	EASY SLIDER

FOREARM FORKLIFT



P/N	ITEM DESC
98-NH536	Black Straps
98-NH536-OR	Orange Straps

SHOE PROTECTOR



P/N	ITEM DESC
98-SB-ASST	Assorted Colors
98-SB-WP-B	Waterproof - Blue, 150 Pair
98-SB-WP-50	Waterproof - Blue, 50 Pair
98-SB-B	Blue - 150 Pair
98-SB-DB	Dark Blue, 150 Pair
98-SB-G	Green, 150 Pair
98-SB-Y	Yellow, 150 Pair
98-SB-B-50	Blue - 50 Pair
98-SB-DB-50	Dark Blue, 50 Pair
98-SB-G-50	Green, 50 Pair
98-SB-Y-50	Yellow, 50 Pair

APPLIANCE PADS



P/N	ITEM DESC
97-FC1000	Washer, Dryer Range 46" x 38" 32"
97-FC1001	Refrigerator. 64" x 33" x 33", w/ Velcro
97-FC1005	Door Jamb Protector

TIE STRAP - NYLON



P/N	ITEM DESC
98-3700	2" x 100 feet
98-3710	1" x 150 feet
98-3715	1 3/4" x 300 feet (Green)

ROPE - TWISTED POLYPRO



P/N	ITEM DESC
98-3730	3/8" x 600 feet

TIE DOWN STRAP



P/N	ITEM DESC
98-3981	15"
98-3982	21"
98-3983	31"

GLOVE

P/N	ITEM DESC
99-GLOVE	Heavy Duty Canvas



FURNITURE PAD



P/N	ITEM DESC
97-FP2000	72" x 80", 80 lbs per dozen
97-FP2001	72" x 80", 75 lbs per dozen
97-FP2002	72" x 80", 64 lbs per dozen
97-FP2003	72" x 80", 40 lbs per dozen
97-MA9100	42" Hvy Duty Rubber Band for Furniture Pads

SHRINK WRAP



P/N	ITEM DESC
97-MA0104	12" x 1500 feet
99-Z9999090	18" x 1500 feet
98-222	Dispensing Handle

CAM BUCKLE STRAP - 800 lbs Load

P/N	ITEM DESC
97-CC2000	Cam Buckle Strap, 2" x 12", Yellow
97-CC2001	Cam Buckle Strap, 2" x 16", Gray



DOLLY - CARPETED

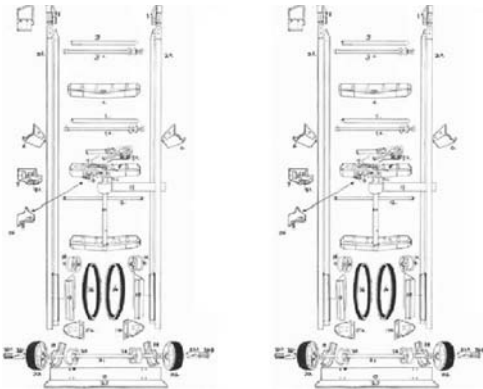


P/N	ITEM DESC
97-FD4002	Hardwood, 18" x 32"

DOLLY - YEATS



DOLLY



P/N	ITEM DESC
98-D1888	????
98-D58-PMP	????

P/N	ITEM DESC
98-105	"Shorty" 47" high
98-107	"Standard" 58" high
98-109	"Maxi" 71" high
98-114	"Dualie" (2 ratchets)
98-116	"Superman" (2 ratchets, 5 positions, & more)
98-120	Big Wheel Attachment - 10" air tires

DOLLY - YEATS, REPAIR PARTS

P/N ITEM DESC

98-0101	(1) TOP HANDLE
98-0131	(2L) SIDE RAIL - LEFT
98-0132	(2R) SIDE RAIL - RIGHT
98-0103	(3) SPACER
98-0135	(3A) SPACER BOLT
98-0104	(4) CROSS MEMBER w/o thumb latch
98-0106	(6) SIDE HANDLE
98-0107	(7) RATCHET HANDLE w/ spring
98-0137	(7A) RATCHET RETURN SPRING
98-0108	(8) CROSS MEMBER w/ thumb latch
98-0109	(9) THUMB LATCH w/ bracket & spring
98-0138	(9A) THUMB LATCH SPRING
98-0110	(10) VERTICAL SHAFT & HOLDING GEAR
98-0139	(10A) HOLDING GEAR w/ pin
98-0111	(11) DOLLY STRAP 15 foot
98-0111-21	(11) DOLLY STRAP 21 foot
98-0112	(12) DOLLY STRAP SUPPORT ROD
98-0114	(14) TOP PULLEY
98-0140	(15L) GLIDE SLIDE - LEFT
98-0141	(15R) GLIDE SLIDE - RIGHT
98-0116	(16) GLIDE BELT
98-0117L	(17L) AXLE BRACKET - LEFT
98-0117R	(17R) AXLE BRACKET - RIGHT
98-0145	(19L) SLIDE RAIL BASE - LEFT
98-0146	(19R) SLIDE RAIL BASE - RIGHT
98-0120	(20) LOWER PULLEY
98-0121	(21) AXLE
98-0150	(22) WHEEL w/ bearing
98-0151	(22A) WHEEL BEARING SLEEVE
98-0152	(22B) WHEEL BEARING
98-0123	(23) NOSE PLATE (specify model)
98-0160	(24A) FELT PAD SET w/ cement
98-0161	(24B) FELT PAD for Nose Plate
98-0162	(24C) FELT PAD for Side Rail
98-0163	(24D) FELT PAD for Cross Member
98-0164	(24E) RUBBER CEMENT
98-0170	(25) PLASTIC PAD SET w/ cement
98-0126	(26) THUMB LATCH w/ spring
98-0127	(27) REPLACEMENT TOP HANDLE RIVET (specify by part)
98-0000-xx	

